

8000 Retracting Sledge Microtome Specification



 **MADE IN BRITAIN**

Bright
Instruments

Introduction

The Bright 8000 retracting base sledge microtome offers the ultimate in versatility combined with strength, accuracy, reliability and, not least, safety.

Designed to fully meet the needs of the routine histology laboratory, the 8000 will also meet the more demanding requirements of the specialised unit where its versatility and wide range of accessories will guarantee that it becomes the first choice of the professional base sledge user.

It is well suited to cutting a wide range of materials including bone, plastics, resins and wood as well as large area soft tissues. It is the first of its kind to incorporate retraction on the return stroke. This feature helps to avoid possible damage to specimens. The 8000 has a wide range of stages available in a host of sizes. The Bright Solid State Freezer and the Bright Cryostage can be used in conjunction with the 8000, (see ordering information), on occasions where it is necessary to freeze specimens while in a laboratory environment.

Features and Benefits

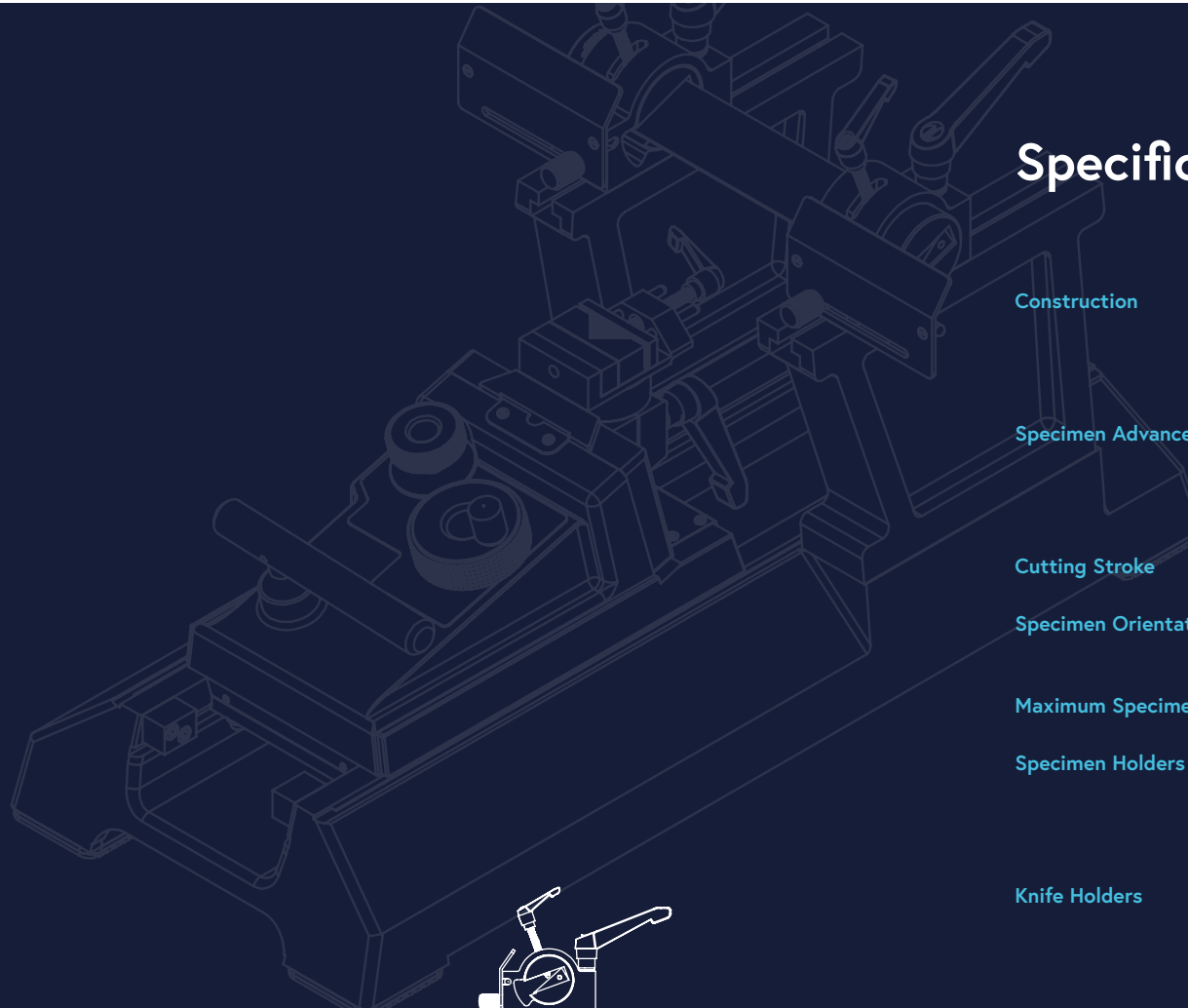
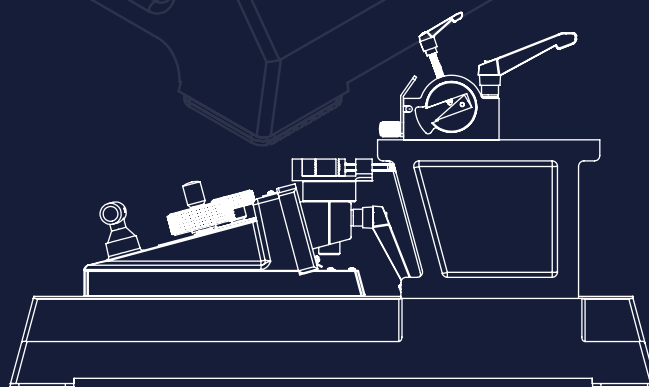
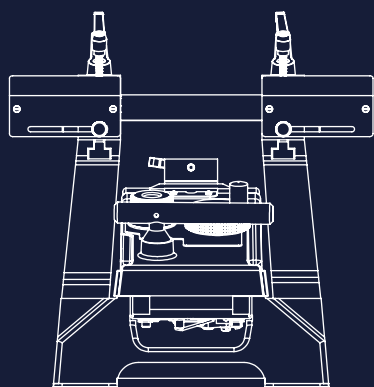
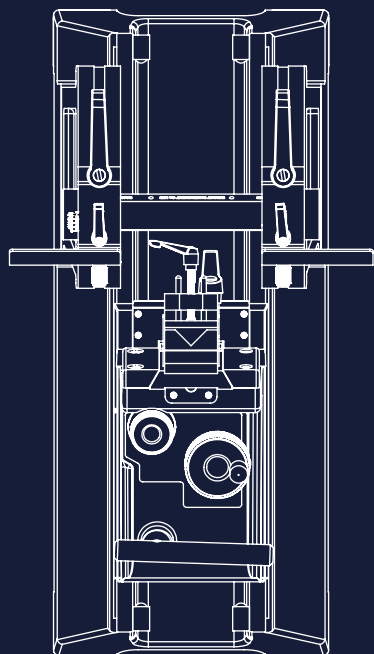
- Easy to use base sledge retracting microtome complete with standard vice
- Sturdy cast iron construction
- 60µm retraction on the return stroke prevents possible specimen damage
- Angled and slewable knife holder for greater versatility
- Accepts a range of knives and disposable blades
- A wide range of quick release holders available
- Safety features include knife guards and low positioned operating handle
- Orientation available - using a $\pm 8^\circ$ tilt adapter
- Range of stages available
- Standard accessories include: - knife cleaning brush, set of four Allen keys, microtome oil, operating manual

The Microtome

Design of the knife support pillars is such that they may be reversed to provide greater clearance for large blocks. In their normal position blocks up to 110mm wide may be accommodated but when reversed the block width may be increased to 170mm. Substantial knife clamps provide considerable knife rigidity with the dual facility of both angle tilt and slew, and spacers are available to raise the height of the knife. If required, a single side double clamp knife holder is available as an optional extra.

Full width knife guards are supplied providing increased protection to the operator over the entire knife length - not just at its ends. Cast in mechanite and precision machined, the base is finished with a durable solvent and detergent resistant coating. The sledge

is inserted with PTFE to provide an extremely low friction contact. Specimen advance and retraction is achieved by the simple action of pushing and pulling the sledge forward and back using the operating handle. Such is the unique design of the handle the mere action of pushing and pulling automatically advances and retracts the specimen. The degree of advance can be set in the range 0-40 μ m in 1 μ m increments.



Specification

Construction	Cast mechanite, precision machined and finished with durable solvent and detergent proof coating
Specimen Advance	0 - 40µm in 1µm increments, retraction operates on return stroke. Manual gross advance/rewind facility
Cutting Stroke	270mm
Specimen Orientation	±8° horizontal and vertical (optional)
Maximum Specimen	Size 250mm x 210mm
Specimen Holders	Specimen vice or quick release holder for cassettes, supercassettes and hardboard squares.
Knife Holders	Support arms reversible with slew facility. Angle tilt with indicator scale and full width knife guards. Single side double clamp facility is available as an optional feature
Safety Features	Handle designed to ensure maximum distance away from knife edge. Knife guards cover full width of knife
Dimensions	H325 x W260 x D610mm
Packing	Net weight: 40kg Gross weight: 50kg Packing dimensions: H400 x W920 x D550mm Shipping volume: 0.202m ³

Weights vary according to specification of instrument

8000 Retracting Sledge Microtome

Order List 2020

PRODUCT	
Code	Description
8000-01	<p>8000 Retracting base sledge microtome (with standard blade)</p> <p>Complete with:</p> <ul style="list-style-type: none"> • 1 - 40µm feed screw with 1µm increments. • Manual gross advance/rewind facility. • Angled, tilted knife holder with indicator scale. • Full width integral knife guards. • Automatic retraction of approx. 50µm on return stroke. • Standard vice. • Fixed adaptor. <p>Standard accessories include:</p> <ul style="list-style-type: none"> • Knife cleaning brush • Set of Allen keys • Knife, cleaning brush • Microtome oil • Operating manual
8000-02	<p>8000 Retracting base sledge microtome (Same as 8000-01 but without standard blade)</p>

OPTIONAL FEATURES	
Code	Description
50533	Quick release wax cassette holder, with out orientation.
318	A simple to use holder for wax cassettes. Accepts standard size wax cassettes (26x31x5mm). Can be specified instead of standard vice at no extra charge.
54147	Sledge quick release supercassette holder for holding wax supercassettes (75x52x19mm).
51637	Quick release holder for hardboard squares.
51407	Single side double clamp knife holder.
51473	Orientating tilt adapter +/-8° angle.

OPTIONAL FEATURES	
Code	Description
CRYOSTAGE - REFRIGERATED FREEZING STAGE	
8000-208-01	<p>Cryostage Freezing Stage for 220/240V AC, 50/60Hz</p> <p>Complete with:</p> <ul style="list-style-type: none"> • 130 x 90mm stage. • Freezing to -30°C. • Heater for easy removal of specimen debris. <p>Standard accessories include:</p> <ul style="list-style-type: none"> • Cryo-M-Bed embedding compound. • Spare set of fuses. • Operating manual.
8000-208-02	<p>Cryostage Freezing Stage for 110/115V AC, 50/60Hz</p> <p>Same features & accessories as 8000-208-01</p>
SOLID STATE FREEZER WITH PELTIER DEVICE	
53024-01	<p>Solid State Freezer for 220/240V AC, 50/60Hz</p> <p>Complete with:</p> <ul style="list-style-type: none"> • 40 x 40mm stage. • Freezing to -25°C • Temperature control is by current limit to Peltier device. • Safety cut-out to detect low water pressure. <p>Standard accessories include:</p> <ul style="list-style-type: none"> • Cryo-M-Bed embedding compound. • Cooling block removal tool. • Allen Key. • Spare set of fuses. • Operating manual.
53024-02	<p>Solid State Freezer for 110/115V AC, 50/60Hz</p> <p>Same features & accessories as 53024-01</p>
200-012	Solid State Filters
231-001	<p>Cooling Water Re-circulator (for Solid State Freezer (240v 50/60Hz only).</p> <p>Removes the reliance on close proximity to a sink and water supply while preventing water loss and is subsequently environmentally friendly.</p>

Office: Bright Group Holdings Limited
1-3 Sovereign Park, Laporte Way,
Luton, Beds, LU4 8EL, United Kingdom

Telephone: +44 (0) 808 168 9697
Web: brightinstruments.com
MADE IN BRITAIN 

*Included in standard order | **Not included in overseas orders. VAT not included - E & OE
Valid from 1 January 2019

Bright
Instruments

8000 Retracting Sledge Microtome

Order List 2020

ACCESSORIES	
Code	Description
52498*	Standard vice.
51495*	Fixed adapter.
52985	CO ₂ (gas) object holder and knife freezer.
51719	Object holder, 73 x 54mm.
51720	Object holder, 100 x 66mm.
51836	Object holder, 130 x 90mm.
51717	Object holder, 250 x 110mm.
50235	Steel knife with box, C-profile, 240 x 33 x 13mm. 22° angle, tapped to accept holder for Shandon knife sharpener.
53605	Knife sharpening back for 50235.
50233	Steel knife with box, D-profile, 240 x 33 x 13mm. 22° angle, tapped to accept holder for Shandon knife sharpener.
50234	Tungsten carbide tipped knife with box, 228 x 38 x 6mm. Suitable for bone sections. NB: Needs to be resharpened at our factory.
57675	Holder for feather blades with box. 240mm, complete with pack of 50 disposable Feather blades.
50241	Pack of 50 disposable Feather blades.
51675	Handle for 50235 and 50233 knives.
51460-1	Knife raising block, one pair. (Note: Item required if ordering Sledge with Solid State Freezer).
52306	8000 Knife guard.
51497	End stops left hand.
51498	End stops right hand.
133014	Rubber bumper stops.

ACCESSORIES	
Code	Description
53051-1	Ratchet wheel.
53052-1	Pawl.
57713-1	Bright Cryospray 134, 300ml aerosol can.
57713	Bright Cryospray 134, 300ml aerosol cans x 12.
53581-1	Bright Cryo-M-Bed, 120ml bottle.
53581	Bright Cryo-M-Bed 120ml bottle carton of 6.
57344*	Knife cleaning brush.
57808	Anti-static brush, 12mm.
57425	Microtome oil, 200ml.
57151/2/3/4*	Allen keys, set of four.
53575	Spare fuse set for 53023-01 & 53024-01.
53576	Spare fuse set for 53023-02 & 53024-02.
53577	Spare fuse set for 8000-208-01.
53578	Spare fuse set for 8000-208-02.

Office: Bright Group Holdings Limited
1-3 Sovereign Park, Laporte Way,
Luton, Beds, LU4 8EL, United Kingdom

Telephone: +44 (0) 808 168 9697
Web: brightinstruments.com
MADE IN BRITAIN 

*Included in standard order | **Not included in
overseas orders. VAT not included - E & OE
Valid from 1 January 2019

Bright
Instruments

Agent / Distributor info:

Bright
Instruments

1-3 Sovereign Park,
Laporte Way, Luton,
Beds, LU4 8EL
United Kingdom

+44 (0) 808 168 9697
brightinstruments.com

Member of:
MADE IN BRITAIN 