



Gheat-View

Thermostat with Transparent Tanks

Gruppi Termostatici per Vasche trasparenti adatte per applicazioni termostatiche per l'uso a temperature di +60,0°C e/o +99,9°C. Su tutti i modelli il gruppo termostatico è montato sul ponte in acciaio inox, predisposto per la connessione ricircolo pompa o serpentina di raffreddamento

PLUS

- Vasca Trasparente per temperature da + 60,0°C a +99,9°C
- Gruppo Termostatico Gheat 060 e/o Gheat 100
- AG-System Basic/Smart: Controllo a Microprocessore PID Digitale, accurato e sensibile
- Doppio Display digitale, visualizzazione Set Point/Temp. Risoluzione $\pm 0,1^\circ\text{C}$
- Vasca trasparente in polysulfon per vasca 26 L

Thermostat with Transparent Tank, suitable for thermostatic applications for use at +60,0°C and/or + 99,9°C. On all models the Immersion Thermostat is installed on a stainless steel bridge, planned for connecting recirculation pump or cooling coil

PLUS

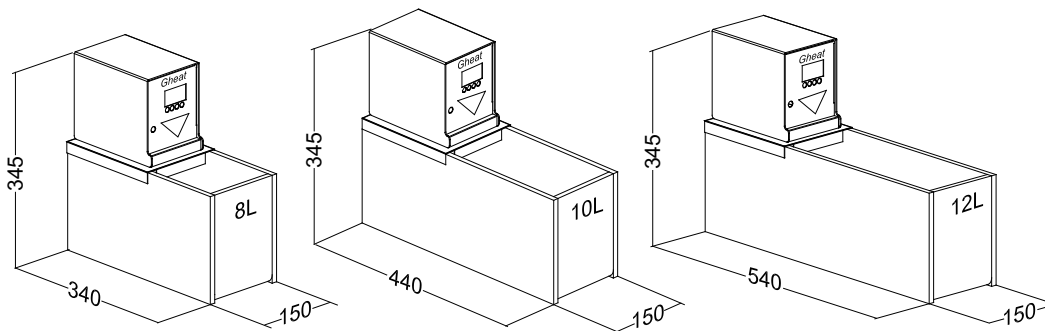
- Transparent Tank for temperatures from +60,0°C to + 99,9°C
- Immersion Thermostat Gheat 060 and/or Gheat 100
- AG-System Basic/Smart: PID Digital Microprocessor control, careful and sensitive
- Double Digital Display to show set point and actual inner temperature. Resolution $\pm 0,1^\circ\text{C}$
- Transparent tank in polysulfon for tank 26L



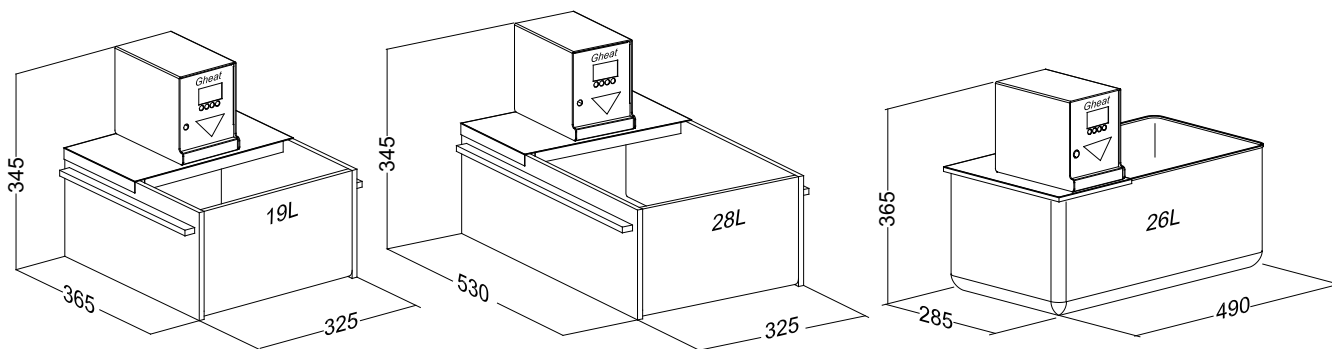
Soluzioni per il Laboratorio e l'Industria
Laboratory and Industrial Solutions

Bagni Termostatici - Circulatori - Criostati - Ultrasuoni

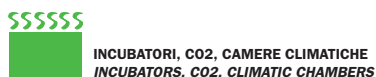
Thermostatic Baths - Circulators - Cryostats - Ultrasonics



Specifiche tecniche		Gheat View 8	Gheat View 10	Gheat View 12	Gheat View 19	Gheat View 28	Gheat View 26	Main Features
		GHW-060B08XXXX	GHW-060B10XXXX	GHW-060B12XXXX	GHW-060B19XXXX	GHW-060B28XXXX	GHW-060B26XXXX	
		GHW-100S08XXXX	GHW-100S10XXXX	GHW-100S12XXXX	GHW-100S19XXXX	GHW-100S28XXXX	GHW-100S26XXXX	
Volume	l	8	10	12	19	28	26	Volume
Dimensioni utili								Inner Dimensions
L	mm	130	130	130	305	305	320	W
P	mm	140	238	337	164	330	260	D
A	mm	180	180	180	180	180	200	H
Dimensioni esterne								External Dimensions
L	mm	150	150	150	325	325	490	W
P	mm	320	420	520	365	530	285	D
A	mm	345	345	345	345	345	365	H
Peso netto	Kg	3,5	4	5	7	9	11	Net Weight
Dimensioni Imballo								Packing Dimensions
L	mm	250	250	250	425	425	590	W
P	mm	420	520	620	465	630	385	D
A	mm	445	445	445	445	445	465	H
Peso lordo	Kg	4,5	5	6	8	10	12	Gross Weight
Campo di temperatura	°C	da Temp. Amb. +5,0°C a +60,0°C AGS Basic - da Temp. Amb. +5,0°C a +99,9°C AGS Smart						Range Temperature
Alimentazione	V	230V 1~ 50 Hz						Supply
Potenza	W	1000W						Power
ACCESSORI								OPTIONS
Coperchio piano Inox con maniglia		GH-CP-COM-X01	GH-CP-COM-X02	GH-CP-COM-X03	GH-CP-COM-X04	GH-CP-COM-X05	GH-CP-COM-X06	Stainless steel Flat lid with handle
Palline in polipropilene ø.20mm(1000 pz)		GH-CP-PAL-X20	GH-CP-PAL-X20	GH-CP-PAL-X20	GH-CP-PAL-X20	GH-CP-PAL-X20	GH-CP-PAL-X20	Polypropylene balls ø 20mm (1000 pcs)
Falso fondo Inox		GH-CP-FFS-X01	GH-CP-FFS-X02	GH-CP-FFS-X03	GH-CP-FFS-X04	GH-CP-FFS-X05	GH-CP-FFS-X06	False Bottom in stainless



Il costruttore si riserva la facoltà di modificare le caratteristiche e l'estetica del prodotto - The manufacturer reserve the right to change the design and the features of the products



F.lli Galli G. & P. - Via dell'Artigianato, 12 - 20090 Fizzonasco di Pieve Emanuele - Milano - Italy
 Phone +39.02.90.72.07.05 - Fax +39.02.90.72.38.51
 www.galli2europe.com - e-mail: info@galli2europe.com

COMPANY WITH
 QUALITY SYSTEM
 CERTIFIED BY DNV
 = ISO 9001 =